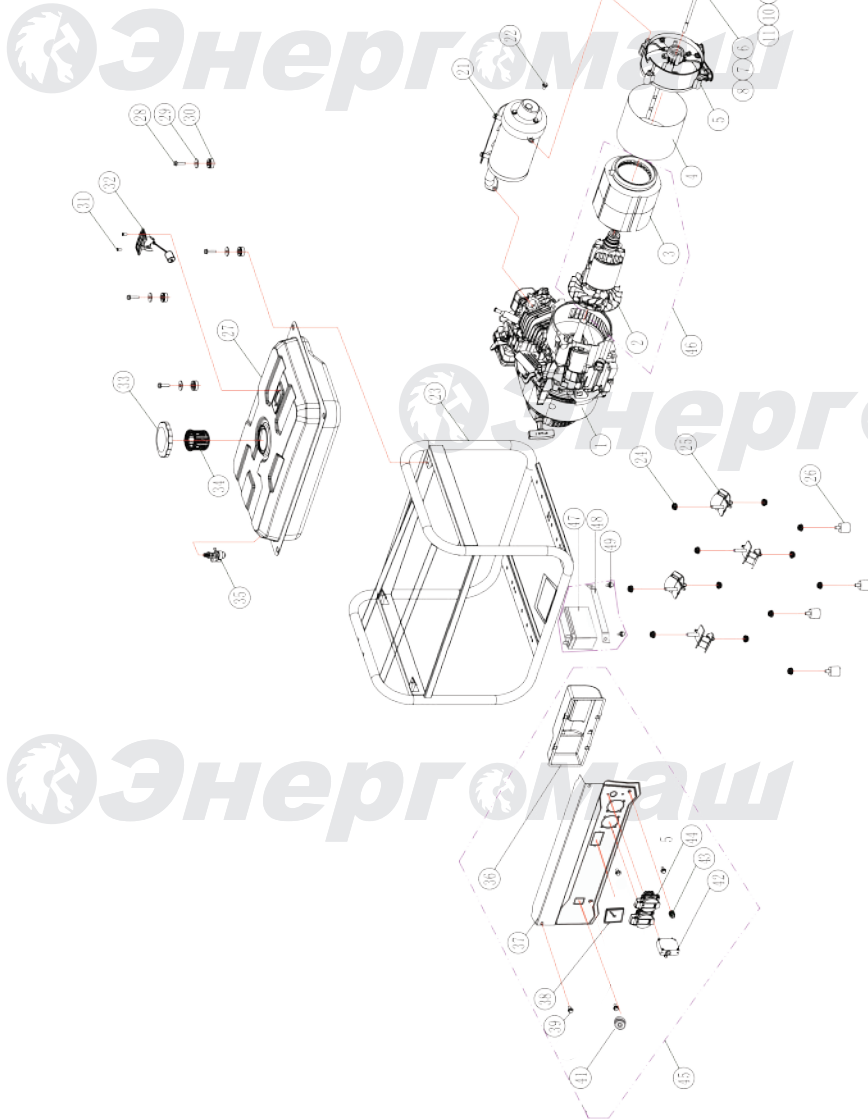


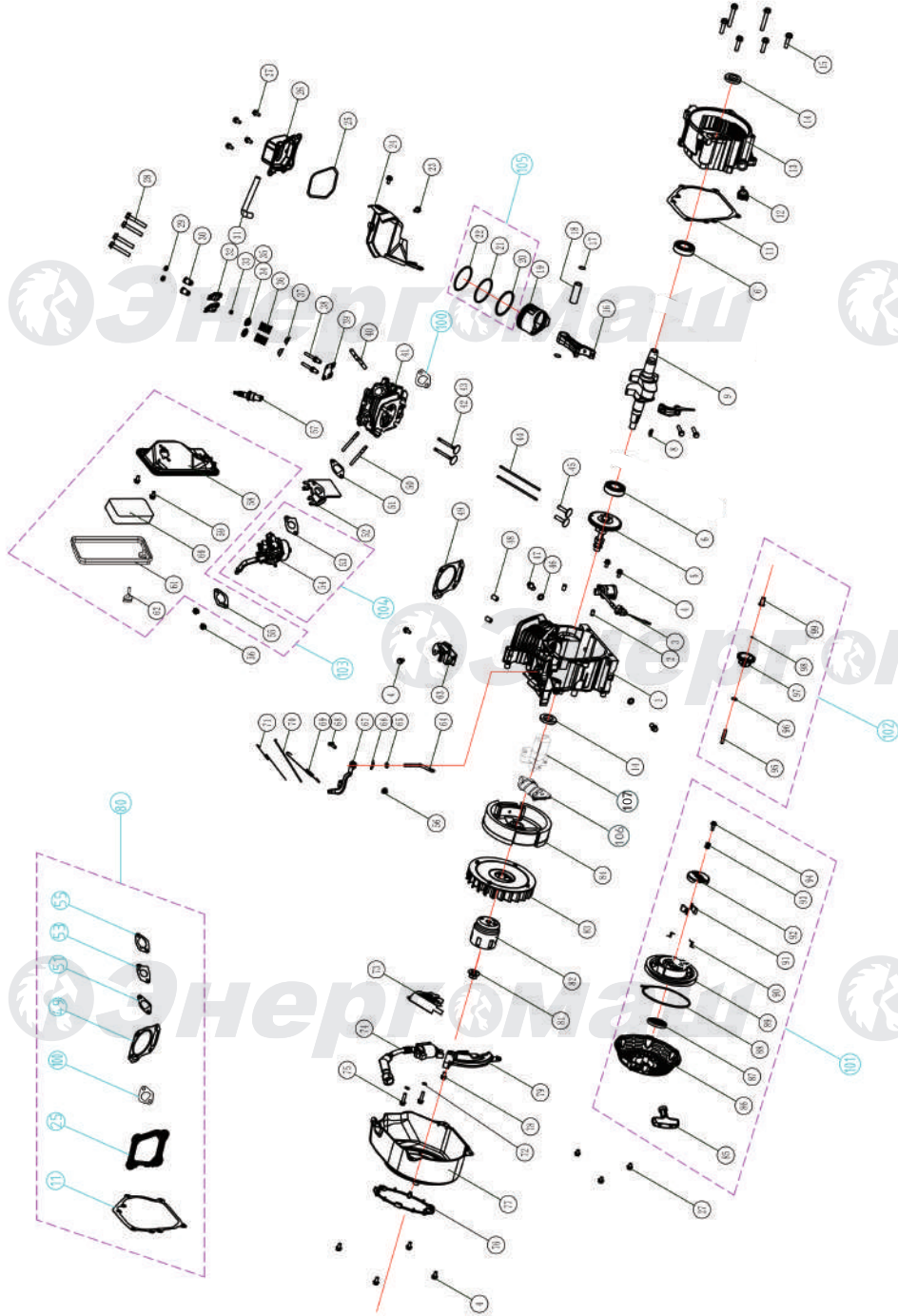
БГ-3200Э

NO.	DESCRIPTION	SPEC.	NO.	DESCRIPTION	SPEC.
1	Engine subassembly		25	Isolator 1	
2	Rotor Assy		26	Isolator 2	
3	Stator Assy		27	Fuel Tank	
4	Stator Cover		28	FLG. BOLT M6x20	M6x20mm
5	Generator end cover		29	WASHER TANK Buffer	
6	Flange Bolt M8	M8	30	OIOMETT, FUEL TANK	
7	Lock WASHER $\Phi 8$	$\Phi 8$ mm	31	SCREW M5x 10	M5x10mm
8	FLAT WASHER $\Phi 8$	$\Phi 8$ mm	32	FUEL GAUGE ASSY.	
9	Flange Bolt M6	M6	33	FUEL CAP	
10	Lock WASHER $\Phi 6$	$\Phi 6$ mm	34	FUEL FILTER, WIRE MESH	
11	FLAT WASHER $\Phi 6$	$\Phi 6$ mm	35	FUEL VALVE	
12	AVR		36	CONTROL BOX	
13	FLG.BOLTM5x16	M5x16mm	37	CONTROL PANEL	
14	Carbon brush assembly		38	VOLTMETER	
15	Carbon brush holder		39	FLG. BOLT M6x 12	M6x12mm
16	BOLT & WASHER ASSEMBLIES	M5x16mm	41	Key start assy	
17	BOLT & WASHER ASSEMBLIES	M5x16mm	42	AC Circuit Breaker	
18	Terminal Block		43	Ground Bolt Assy	
19	Generator end cover cap		44	Receptacle 16A	
20	FLG.BOLTM5x12	M5x12mm	45	CONTROL PANEL ASSY	
21	Muffler assembly		46	Motor Assy	
22	FLG. BOLT M8x20	M8x20mm	47	Battery	
23	FRAME		48	Iron Fixing Belt	
24	NUTM8	M8	49	Nut M8	M8

БГ-3200Э-EX-20200902



ENGINE FOR БГ-32003



NO.	DESCRIPTION	SPEC.	NO.	DESCRIPTION	SPEC.
1	CRANKCASE SUBASSEMBLY.		56	NUT M6	M6
2	Locating Pins		57	SPARKPLUG	
3	SENSOR, ENGINE OIL		58	ELBOW, AIR CLEANER	
4	FLG.BOLT M6X12	M16x12mm	59	MOUNTING BOLT, AIR CLEANER	
5	GEAR ASSY, GOVERNOR		60	ELEMENT, AIR CLEANER	
6	Bearing		61	COVER, AIR CLEANER	
8	Woodruff key		62	MOUNTING BOLT, AIR CLEANER	
9	CRANKSHAFT		63	CONTROL ASSEMBLY	
11	GASKET, CRANKCASE		64	SHAFT, GOVERNOR ARM	
12	OIL DIPSTICK ASSY		65	Rocker shim	
13	COVER CRANKCASE		66	PIN, SHAFT	
14	SEAL, OIL		67	ARM, GOVERNOR	
15	FLG.BOLT M8X32	M8x32mm	68	BOLT,GOVERNOR ARM	
16	ROD, CONNECTING		69	SPRING,GOVERNOR	
17	CLIP, PISTON PIN		70	ROD, GOVERNOR	
18	PIN, PISTON		71	SPRING, THROTTLE VALVE RETURNING	
19	PISTON		72	Lock WASHER	
20	RING SET, OIL		73	Wind deflectors	
21	RING, THE SECOND		74	IGNITION COIL	
22	RING, THE FIRST		75	FLG.BOLT M6X25	M6x25mm
23	FLG.BOLTM6X8	M6x8mm	76	PROTECT CIRCLE	
24	AIR GUIDE LOWER		77	FAN COVER COMP	
25	GASKET, CYLINDER HEAD COVER		78	FLG.BOLT M6X20	M6x20mm
26	COVER SUBASSEMBLY, CYLINDER HEAD		79	AIR GUIDE, RIOIT SIDE	
27	FLG.BOLTM6X15	M6x15mm	80	Gasket Set	
28	FLG.BOLTM8X55	M8x55mm	81	Lock nut	
29	NUT, VALVE LOCK		82	PULLEY,STARTER	
30	NUT VALVE ADJUSTING		83	COOLING FAN	
31	BREATHER TUBE		84	FLYWHEEL COMP	
32	ROCKER, VALVE		85	GRIP,STARTER	
33	RoTATOR, VALVE		86	CASE COMP,RECOIL STARTER	
34	RETAINER, INTAKE VALVE		87	SPRING,STARTER RETURN	
35	RETAINER, EXHAUST VALVE		88	CORD	
36	SPRING,VALVE		89	PULLEY,RECOIL STARTER	
37	OIL SEAL,VALVE		90	SPRING,PATCHET	
38	BOLT, VALVE ADJUSTING		91	PATCHET,STARTER	
39	PLATE SUBASSEMBLY, LIFTER STOPPER		92	PAWL GUIDE	
40	Exhaust valves stud bolt		93	CLIP SPRG.,PAWL GUIDE	
41	HEAD SUBASSEMBLY, CYLINDER		94	SCREW,PAWL GUIDE	
42	VALVE,IN.TAKE		95	GOV.,GEAR SHAFT	
43	VALVE, EXHAUST		96	INNER WASHER GEAR	
44	PUSH ROD		97	GEAR, GOVERNOR	
45	TAPPET, VALVE		98	CLIP, GOVORNER GEAR	
46	WASHER DRAIN BOLT		99	BUSHING, GOVORNER GEAR	
47	BOLT, DRAIN PLUG		100	Auspuffdichtung	
48	Locating Pins		101	Recoil Starter Set	
49	GASKET, CYLINDER HEAD		102	Governing Gear Set	
50	STUD, INTAKE		103	Air Cleaner Set	
51	GASKET, INLET		104	Carburetor Set	
52	PLATE, CARBURETOR INSULATOR		105	Piston Rings Set	
53	GASKET, CARBURETOR		106	Battery Charging coil	
54	CARBURETOR		107	MOTOR&Relay	
55	GASKET, AIR CLEANER				